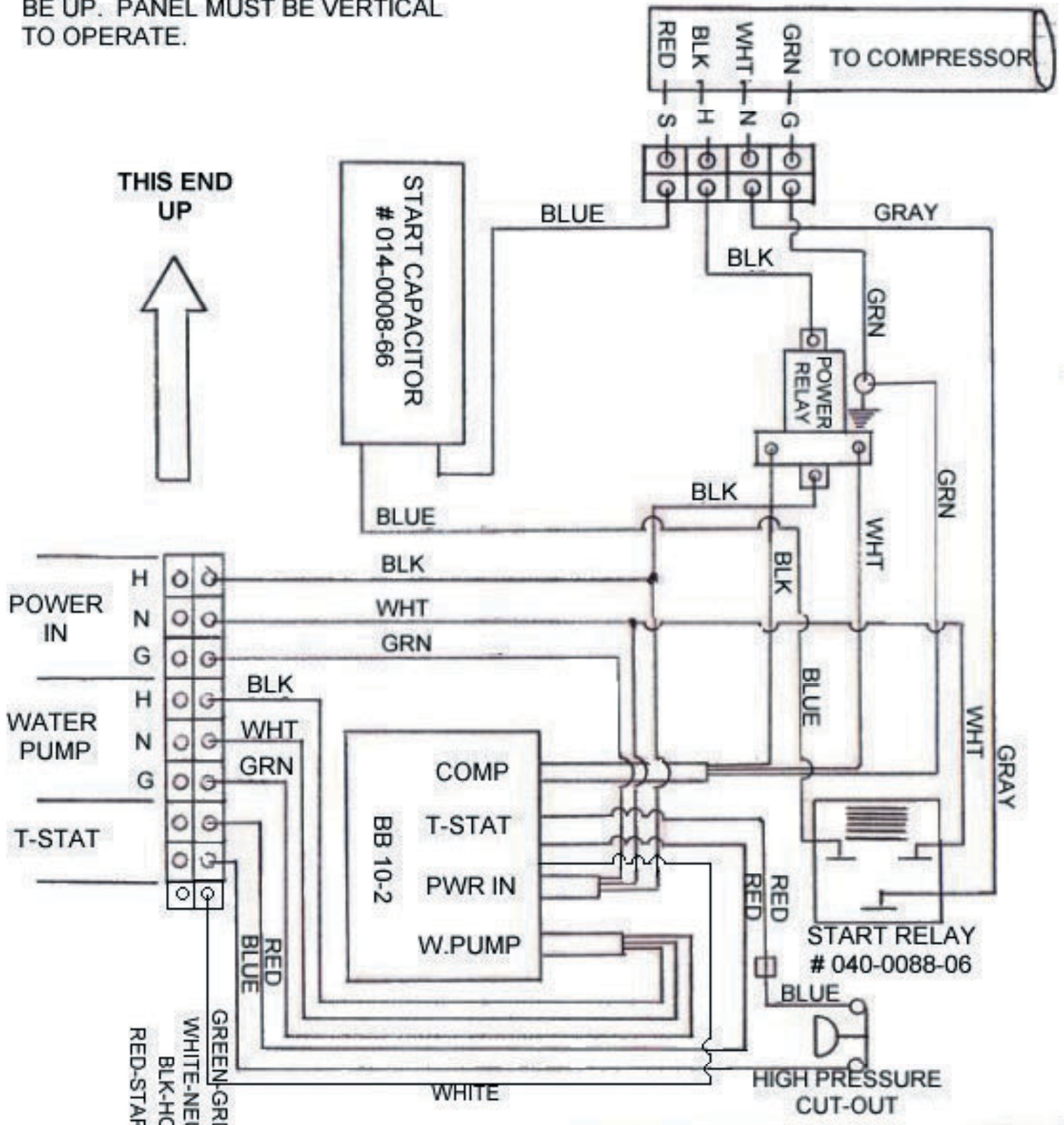


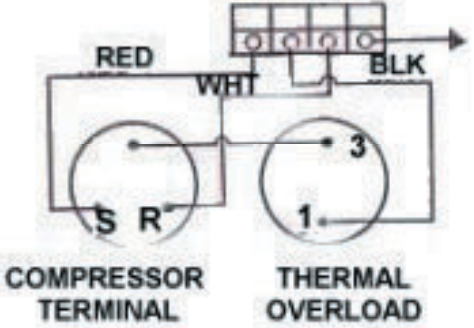
NOTE: THIS END OF PANEL MUST BE UP. PANEL MUST BE VERTICAL TO OPERATE.

Compressor # RS64C2E-1AA-201



THIS END UP
↑

TO AVOID ELECTRIC SHOCK
PANEL MUST BE INSIDE
FIBERGLASS HOUSING.



BG 2000
110-VOLT WIRING
JUNE 2003